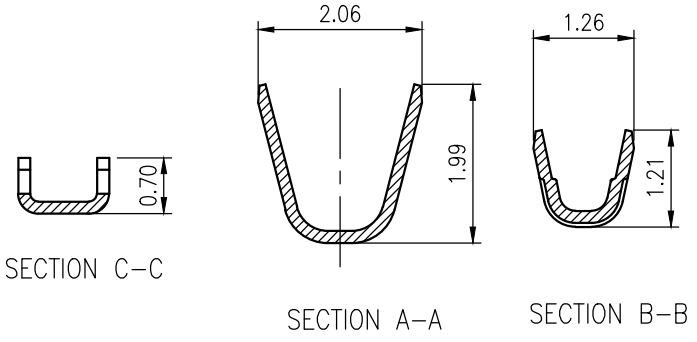
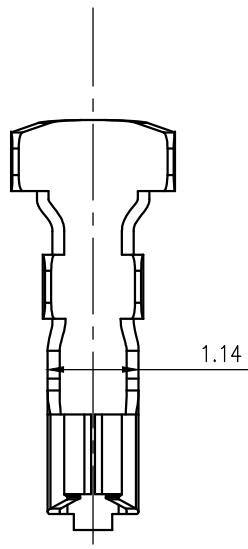
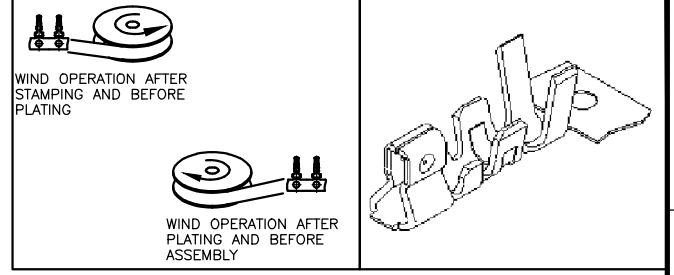


- Notes :
1. Materail is Copper Alloy (t=0.15mm)
  2. Plating :  
 Nickel 50u" MIN. overall  
 1: Gold Flash  
 L: 120u" MIN. Pure Tin .  
 T: 10u" MIN. Gold on contact area .  
 C: 15u" MIN. Gold on contact area .  
 A: 3u" MIN. Gold on contact area .
  3. Crimping SPEC. PLS. Refer to CS-91203-T;
  4. Crimping tooling REF.:  
 A. Conductor crimping: W=0.90mm(REF.)  
 B. Insulator crimping: W=1.05mm(REF.)
  5. Terminal to crimp with AWG#24~AWG#30 wire (UL1061 is recommended)
  6. Terminal to use housing 91203-XXXX;
  7. Packing: 10000PCS/Reel

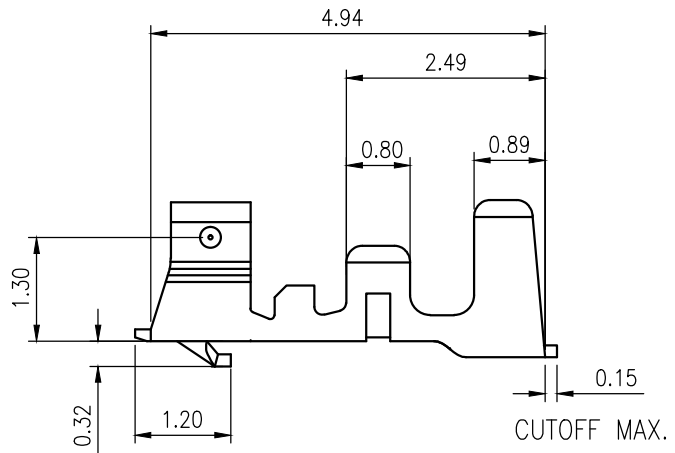
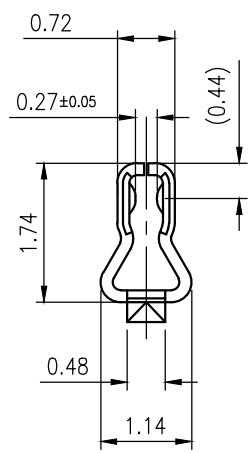
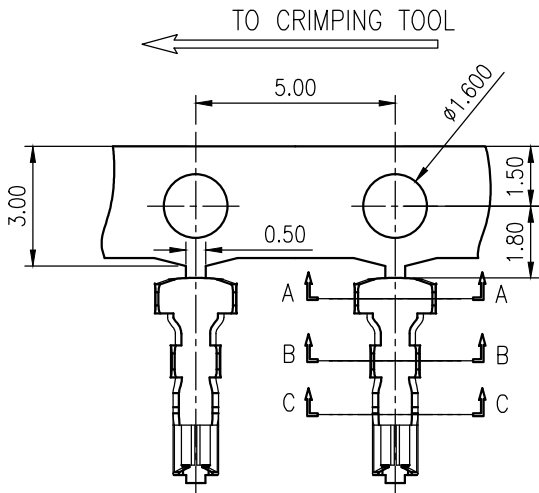


P/N Legend

91203-000 X X

Packing ——— X ——— Plating  
 0:Reel ——— 0:Reel ———

1: Gold Flash  
 L: Lead Free(Pure Tin)  
 T: 10u" MIN. Gold  
 C: 15u" MIN. Gold  
 A: 3u" MIN. Gold



QUALITY SYMBOLS MAJOR CRITICAL	DRAWN BY YANJINXIU	DATE 21/03/02	<b>ACES</b> ELECTRONICS	
	CHECKED BY XUZHONGYONG	DATE 21/03/02		
GENERAL TOLERANCES (UNLESS SPECIFIED) X. ±0.5 .X ±0.25 .XX ±0.15 .XXX ±0.1 ANGLES ±2°	APPROVED BY XUZHONGYONG	DATE 21/03/02	SIZE A4	DWG NO. 91203-000XX
	UNITS mm		REV F	PART NO. SEE NOTES
	SCALE 5 : 1	SHEET NO. 1 OF 1		